

## INSTRUCTIONS FOR USE

For single patient use (one person) only



INCLUDES INSTRUCTIONS FOR THE PARI LC® SPRINT NEBULIZER

IMPORTANT: READ INSTRUCTIONS AND SAFETY PRECAUTIONS BEFORE USE



AEROSOL DELIVERY SYSTEM

READ ALL WARNINGS AND INSTRUCTIONS BEFORE USE. USE THE PRODUCT ONLY FOR ITS INTENDED USE AS DESCRIBED IN THESE INSTRUCTIONS FOR USE. IMPROPER USE CAN RESULT IN SERIOUS OR FATAL ILLNESS/INJURY, IMPROPER TREATMENT OR PROPERTY DAMAGE.

**! REMEMBER**  
■ REPLACE YOUR REUSABLE NEBULIZER CUP EVERY SIX MONTHS



## AEROSOL DELIVERY SYSTEM

Welcome to the Vios<sup>®</sup> PRO experience! The Vios<sup>®</sup> PRO Aerosol Delivery System is designed from PARI's long legacy of clinically proven products and consists of two important components: a Vios<sup>®</sup> PRO compressor and a PARI nebulizer. Vios<sup>®</sup> PRO was inspired by the Latin and Greek words for "Life" and our goal is to improve your quality of "Life" through the efficient delivery of aerosol.

Your physician has prescribed the Vios<sup>®</sup> PRO to treat your respiratory symptoms because of PARI's reputation for consistent particle size and fast treatments resulting in targeted delivery to the lungs. PARI products have been used in more than 25 clinical trials for new nebulized medications. Designed with the patient in mind, these instructions will help you achieve the best aerosol therapy experience.

We hope the Vios<sup>®</sup> PRO experience allows for a "Life Inspired".

SAVE THESE INSTRUCTIONS  
FOR FUTURE USE

## INDICATIONS FOR USE: LC<sup>®</sup> SPRINT

The LC<sup>®</sup> Sprint is a handheld nebulizer, designed to aerosolize medication approved for nebulization and prescribed by a physician. The LC<sup>®</sup> Sprint is intended for adult and pediatric patients consistent with the indications for the aerosol medication.

## A. SAFETY PRECAUTIONS - LC<sup>®</sup> SPRINT

### ⚠ CAUTION

US Federal Law restricts this device to sale by or on the order of a physician. Use only when prescribed by a physician and with the prescribed medication.

The LC<sup>®</sup> Sprint is a handheld nebulizer, designed to aerosolize medication approved for nebulization and prescribed by a physician. The LC<sup>®</sup> Sprint is intended for adult and pediatric patients consistent with the indications for the aerosol medication. Improper use can result in serious or fatal illness or injury. Nebulizer is not sterile.

### ⚠ WARNING

Use only when prescribed by a physician and with the prescribed medication. In order to achieve the specified droplet characteristics the compressor or central air supply must provide 3.5 - 8 lpm at a minimum of 20psi.

### ⚠ WARNING

1. To reduce the risk of increased bacterial growth, infection, illness, or injury from contamination: thoroughly clean and dry all parts of the nebulizer and thoroughly dry any moisture or condensation in the tubing at the end of every treatment following the enclosed instructions.
2. Cleaning the nebulizer after each treatment is not enough---you must regularly disinfect or sterilize the nebulizer between treatments to prevent serious or fatal illness caused by contamination of the nebulizer.
3. Never use a nebulizer with a clogged nozzle. If the nozzle is clogged, the aerosol mist will be reduced, altered or stopped, which will diminish or eliminate the effectiveness of the treatment. If clogging occurs, replace with the same model PARI Reusable Nebulizer.
4. Close supervision is necessary when this product is used by or near children and physically or mentally impaired. Never use when sleeping or drowsy.
5. This product contains small parts that may present a choking hazard to small children. The tubing also presents a strangulation hazard. **ALWAYS USE CLOSE ADULT SUPERVISION WHEN ADMINISTERING A TREATMENT TO A CHILD. DO NOT LEAVE CHILD UNATTENDED DURING TREATMENT.**
6. Patients under the age of 4 or any patients who have special needs should use a facemask instead of the valved mouthpiece.
7. Before use, check PARI Reusable Nebulizer for proper assembly. All parts should be seated firmly in place. Use of an improperly assembled nebulizer could diminish or prevent adequate delivery of medication and the effectiveness of the treatment.

## INDICATIONS FOR USE: VIOS® PRO AEROSOL DELIVERY SYSTEM

The Vios® Pro is a light weight compressor for use with PARI Nebulizers. The Vios® PRO Compressor is intended for adult and pediatric patients for use in hospital, clinic, or home environments.

## B. SAFETY PRECAUTIONS - VIOS® PRO AEROSOL DELIVERY SYSTEM

### **▲WARNING**

Use only with nebulizers and tubing authorized by PARI for this device. Other nebulizers and tubing may result in improper treatment.

When using electrical and medical products, especially when children are present, basic safety precautions must be followed.

### **▲DANGER**

To reduce the risk of serious or fatal injury from electrocution:

1. Do not place or store product where it can fall or be pulled into a bathtub, sink, water, or other liquid. Do not place in or drop into water or other liquid. Do not use while bathing.
2. Do not reach for a product that has fallen into water or other liquid. Unplug immediately.

### **▲WARNING**

To reduce the risk of serious or fatal injury from electrocution, fire or burns and to reduce the risk of damage and malfunction to the product:

1. Before use, check the serial number label on the bottom of the PARI Vios® PRO Compressor to ensure that the voltage and current indicated on the compressor label correspond to the voltage and current available.
2. Never operate this product if it has a damaged cord or plug, if it is not working properly, if it has been dropped or damaged, or if it has been exposed to any liquids inside the case. Return the product to PARI for examination and repair.
3. Keep all electrical cords away from heated surfaces. Do not overload wall outlets or use extension cords.
4. This appliance has a polarized plug (one blade is wider than the other). As a safety feature, this plug will fit in a polarized outlet only one way. If the plug does not fit fully in the outlet, reverse the plug.
5. Never block the air vents of this compressor or place it on a soft surface, such as a bed or couch, where the air vents may be blocked. Keep the air vents free of lint, hair, and similar substances. Blocked vents could cause excessive heat buildup. This product should never be left unattended when plugged in.

### **▲WARNING**

6. Do not operate outdoors.
7. Not suitable for use in the presence of flammable anesthetic mixture with air or oxygen or nitrous oxide.
8. Do not operate where oxygen is being administered in a closed environment such as an oxygen tent.
9. Never drop or insert any object into any openings.
10. Always unplug this product immediately after using.
11. Be sure the PARI Vios® PRO Compressor is unplugged prior to cleaning.
12. Do not open or disassemble the PARI Vios® PRO Compressor. Refer all servicing to PARI.

### **▲WARNING**

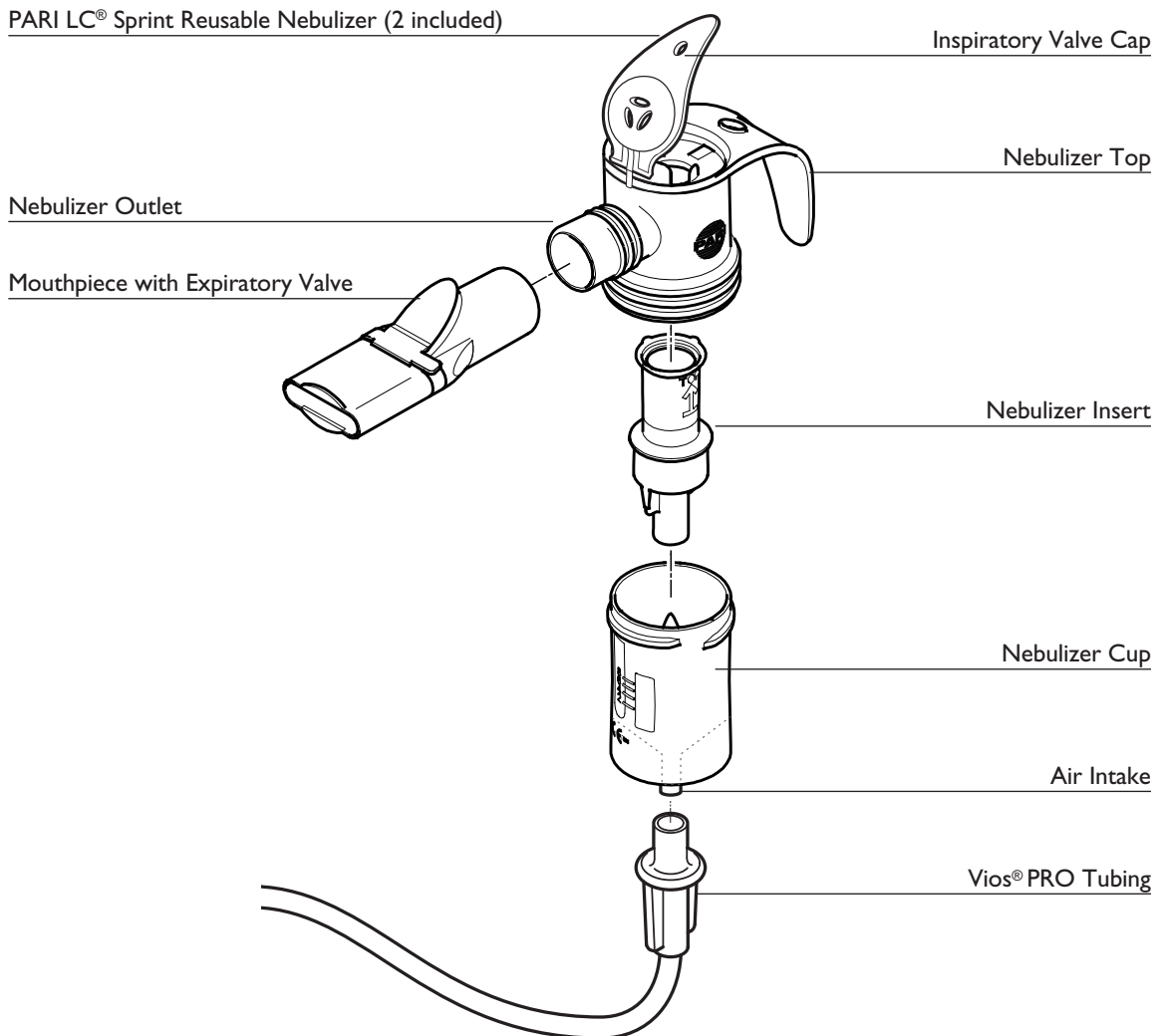
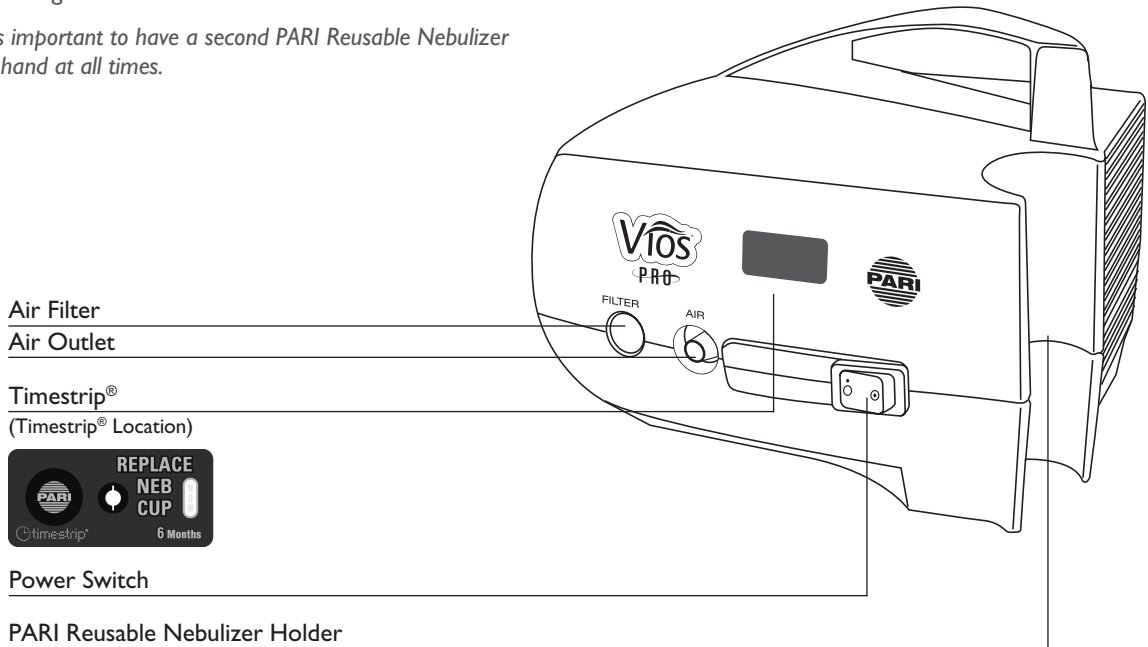
To reduce risk that the compressor will fail to operate properly as a result of decreased electromagnetic interference, resulting in improper treatment:

1. Portable and mobile radio frequency (“RF”) communication devices can disrupt electrical medical equipment.
2. Use only with accessories and cables authorized by PARI for this device. Use of this device with unauthorized accessories and cables may result in increased electromagnetic emissions or decreased electromagnetic immunity of the device.
3. This device should not be used adjacent to, or stacked with other equipment. If adjacent or stacked use is necessary, this device should be observed to verify normal operation.

## C. GETTING STARTED

Check your Vios® PRO package to ensure you have the following items.

*It is important to have a second PARI Reusable Nebulizer on hand at all times.*



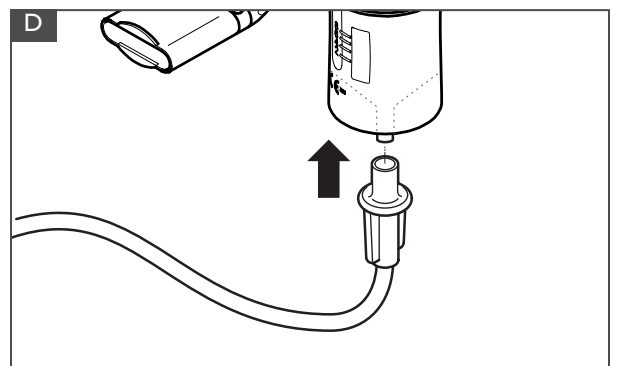
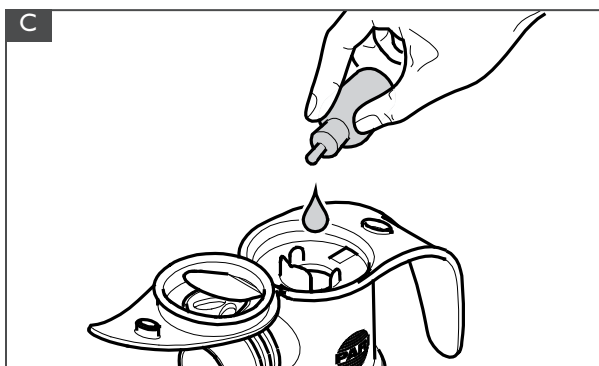
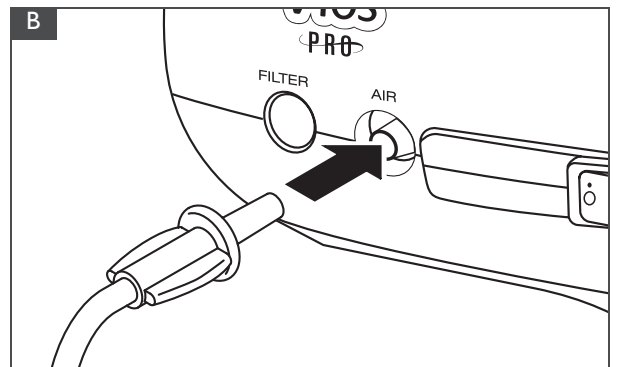
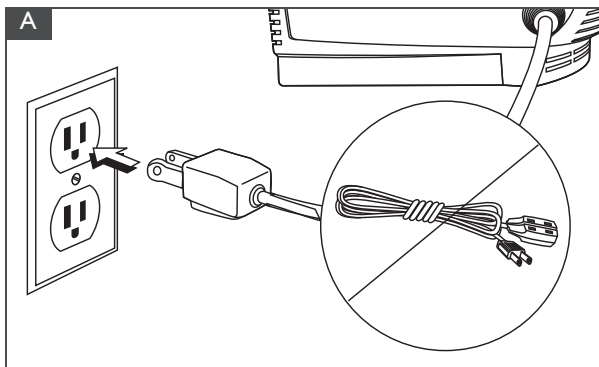
## D. VIOS® PRO SET-UP

You are 10 Steps away from starting your treatment with Vios® PRO. Please follow step by step.

1. **Clean/Disinfect Nebulizer Cup:** Refer to Section F to properly clean and/or disinfect your nebulizer prior to first use. Re-assemble nebulizer.
2. **Set-up Compressor:** Place the compressor on a flat, stable surface free of dust. Avoid cushioned, upholstered or carpeted surfaces. Make sure power switch is turned to  $\odot$ , the "OFF" position. Plug power cord into wall outlet (Fig A). Activate and attach the Timestrip® label to the front on the Vios® PRO Compressor as explained in Section E.
3. **Connect Tubing To Compressor:** Insert one end of tubing to the air outlet on the compressor. It should fit snugly (Fig. B).
4. **Load Medication:** Open the inspiratory valve cap of nebulizer by lifting the cap (Fig. C). Pour medication into nebulizer cup. Never fill past the max. fill line of 8 ml.
5. **Attach Mouthpiece or Mask:** If using the mouthpiece, attach the mouthpiece to the nebulizer outlet with the expiratory valve facing up. Then close the inspiratory valve cap by pressing firmly on the nebulizer top. If using a mask, refer to the mask instructions for use.
6. **Attach Tubing To Nebulizer Cup:** Firmly press the other end of the tubing to bottom of PARI reusable nebulizer (Fig. D).
7. **Starting Treatment:** Sit in a relaxed, upright position and turn the compressor "ON"  $\odot$ .
8. **Nebulizer Position:** Place the mouthpiece on top of tongue and close lips around it. Take slow, deep breaths. As you inhale, the inhalation valve opens.
9. **Breathing:** For mouthpiece, inhale and exhale slowly through your mouth. As you exhale, the valve on the mouthpiece opens to allow the exhaled mist to escape. For mask, place mask over nose and mouth and inhale and exhale slowly.
10. **Complete Treatment:** Continue until the medication is gone or you hear a slight "sputtering" sound. Turn compressor "OFF"  $\odot$ .

### A NOTE ON TREATMENT TIME

Please note that many factors affect treatment time, such as a patient's age, condition, breathing pattern, and medication. The Vios® PRO was designed for intermittent use to deliver respiratory medications, not continuous use for humidification.



## E. TIMESTRIP®

It is very important to replace your PARI reusable nebulizer every 6 months for the most effective treatments. Timestrip® is a visual indicator that makes it easy for you to remember when to replace your nebulizer.

**Activating Timestrip®:** Firmly squeeze the PARI bubble between your finger and thumb. You may need to squeeze it more than once to ensure all the liquid has been emptied from the bubble.

**Verify Activation:** A red line will appear in the small circle of the Timestrip® within 1 to 2 minutes, indicating activation. If you do not see the red line after 3 minutes, press the bubble again.

**Attach to compressor:** Remove the adhesive tab on the back of the Timestrip® and attach the Timestrip® to the front of your compressor as indicated in Section C. **IMPORTANT – DO NOT ATTACH Timestrip® to your NEBULIZER CUP.**

**Replace Nebulizer:** When you see the word NOW appear in the window (Fig. E), you know it's time for a new PARI reusable nebulizer! Contact your home healthcare provider or pharmacy to order your new PARI reusable nebulizer.

### ⚠ WARNING

The Timestrip® may present a choking hazard to small children – adult supervision is required.

Timestrip® does not monitor the condition of the PARI reusable nebulizer. Timestrip® only records the passage of time after it is activated. If activated at the time of first using the PARI reusable nebulizer then it will serve as a reminder that the PARI reusable nebulizer can be replaced.

The liquid inside the Timestrip® is not toxic. If tampered with, the Timestrip® may leak and will not function properly. If the liquid comes into contact with the skin wash with soap and water. If the liquid comes into contact with eyes rinse immediately with water for 15 minutes. If irritation develops, seek medical attention.

Timestrip® is a registered trademark of Timestrip Plc

## F. CLEANING YOUR PARI REUSABLE NEBULIZER

1. Disconnect the tubing from the air intake on the bottom of the nebulizer cup.
2. If there is any moisture (condensation) in the tubing, let the compressor run with only the tubing attached for 2-3 minutes. The warm air from the compressor will dry out the tubing. Alternatively, you can dry the tubing by removing it from the compressor and hanging it up with the “ends down” to allow any moisture (condensation) to drain out and evaporate. Use a clean damp cloth to wipe the exterior of the tubing.
3. Disassemble reusable nebulizer parts as illustrated on page 3.
4. Wash all parts with warm water and liquid dish soap. **DO NOT WASH THE TUBING.**
5. Rinse the reusable nebulizer parts thoroughly with warm water and shake out water.
6. Air dry or hand dry nebulizer parts on a clean, lint-free cloth. Reassemble nebulizer when parts are dry and store.
7. You can also wash all parts of the reusable nebulizer on the top shelf of a dishwasher. **DO NOT WASH TUBING.** Place the reusable nebulizer parts in a dishwasher basket, then place the basket on the top rack of the dishwasher. Remove and dry the parts when the dishwasher cycle is complete.

### ⚠ WARNING

**TO REDUCE RISK OF INFECTION:**

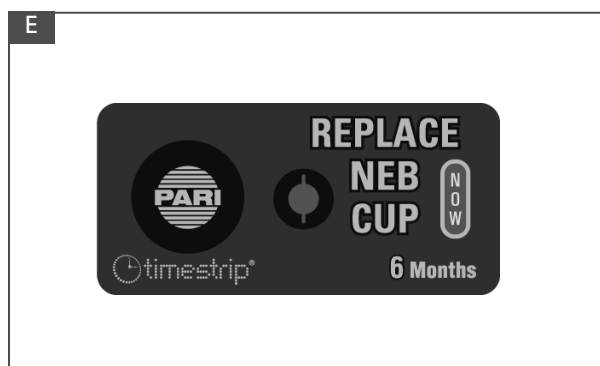
1. Nebulizer for single patient use (one person) only. Do not share your nebulizer with other patients.
2. You must regularly disinfect or sterilize the nebulizer between treatments. Failure to do so could lead to serious or fatal illness.

## ! REMEMBER REPLACE YOUR REUSABLE NEBULIZER CUP EVERY SIX MONTHS

*Advantages of Replacing Your Nebulizer Cup:*

- Consistent medication delivery to the lungs
- Fast and efficient treatments
- Bacterial contamination can be reduced\*

\* Lester, Mary K. Nebulizer Use and Maintenance by Cystic Fibrosis Patients: A Survey Study. *Respiratory Care* 2004; 49(12): 1504-1508.



### VIOS® PRO REPLACEMENT ITEMS

	Part No.
LC® Sprint Reusable Nebulizer	023F35-VP
LC® Plus Reusable Nebulizer	022F81-VP
Vios® PRO Tubing	041F4594
Vios® PRO Replacement Filter 2pk	085F0012P2

*Note: Only use Vios® PRO tubing with the Vios® PRO Aerosol Delivery System*

## G. DISINFECTING YOUR PARI REUSABLE NEBULIZER

1. Clean the nebulizer as described in Section F. For low-level disinfection every other treatment day, soak all parts of the PARI Reusable Nebulizer (except tubing and mask) in a solution of 1 part distilled white vinegar and 3 parts hot tap water for 1 hour. You can substitute respiratory equipment disinfectant (like Control III®) for distilled white vinegar (follow manufacturer's instructions for mixing).
2. Rinse all parts of the PARI Reusable Nebulizer thoroughly with warm tap water and dry with a clean, lint-free cloth. Discard the vinegar solution when disinfection is complete.
3. The PARI Reusable Nebulizer parts (except tubing and mask) may also be disinfected by boiling them in clean pot of water for a full 10 minutes.
4. Hospitals and clinics can sterilize the PARI Reusable Nebulizer parts (except mask and tubing) by autoclaving (a maximum of 277° F or 136° C), follow autoclave manufacturer's instructions.
5. Dry parts on a clean, lint-free cloth.

CONTROL III® is a registered trademark of Maril Products, Inc.

## H. MAINTENANCE OF YOUR VIOS® PRO FILTER

The Clear View™ Filter on the front of the Vios® PRO Compressor was designed to be monitored without removing it. This makes it easy to check without much work. When the filter is new, it is bright white in color. With use, the filter will turn grey, indicating the need for replacement. The filter must be replaced immediately if it gets wet or becomes clogged. A good rule to follow is to replace your filter every 6 months - at the same time as your PARI reusable nebulizer.

For filter replacement, obtain the replacement filter set part # 085F0012P2 which includes the filter and the filter removal tool (Fig. F). Push the filter tool firmly over the filter and rotate the filter removal tool counter clockwise a full 8 turns until loose and pull the filter out (Figs. F and G). Discard the dirty filter and tool. The filter tool prevents unwanted removal of the filter or a lost filter

Once the filter is removed, tilt the compressor so that the face of the unit is facing the floor. Gently tap on the back of the compressor to remove any unwanted materials from the filter area. Place the compressor on a stable surface and using clean hands, push a new filter into the filter receptacle.

**NOTE:** DO NOT ATTEMPT TO WASH AND REUSE AIR FILTERS. DO NOT USE SUBSTITUTE FILTER MATERIAL COMPRESSOR DAMAGE MAY RESULT.

### COMPRESSOR

Use a damp cloth to wipe the exterior of your Vios® PRO housing and tubing.

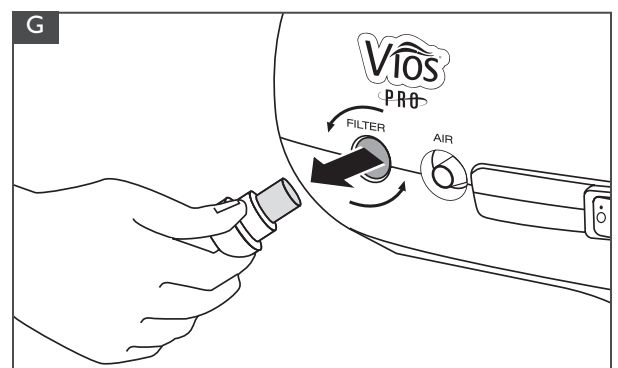
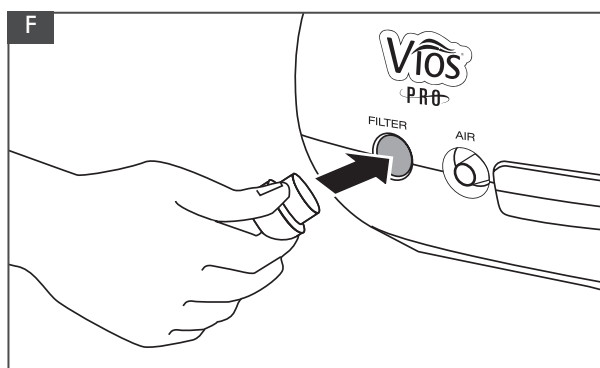
### ⚠ CAUTION

Never spray fluid into the ventilation slots on your Vios® PRO. Fluid could cause damage to the electrical & compressor parts and could lead to malfunction. In the event fluid enters the unit, please contact PARI Patient Connection at 1.800.FAST.NEB (327.8632).

### MAINTENANCE & REPAIR

Never operate your Vios® PRO if it is improperly or incompletely assembled or damaged. Use only original PARI parts and attachments authorized by PARI for the Vios® PRO Aerosol Delivery System. Use of other parts and attachments may damage the unit or cause improper treatment. Do not open or disassemble the compressor unit at any time.

**NOTE:** THERE ARE NO SERVICEABLE PARTS INSIDE THE VIOS® PRO AEROSOL DELIVERY SYSTEM. SERVICE BY ANYONE VOIDS WARRANTY.



# I. SPECIFICATIONS








## VIOS® PRO SPECIFICATIONS

Weight..... 4.0 lb.  
Dimensions:..... 5.75 x 7.5 x 5.5 in.  
Electrical Requirements: ..... 120V AC, 60Hz, 1.6A  
Power Wattage:..... 98 W, under normal load  
Ambient Operating Conditions: ..... 10°C to 40°C, (50°F to 104°F)  
Power cord length:..... 6 ft.

## TRANSPORT/STORAGE CONDITIONS:

Ambient temperature:..... -40°C to 70°C, (-40°F to 158°F)  
Relative Humidity: ..... 10% to 100%  
Atmospheric Pressure:..... 500 hpa to 1060 hpa

## EXPLANATION OF SYMBOLS

- Attention: Read all “Instructions for Use” before operation:..... 
- Insulation enclosed Class II equipment: ..... 
- Type “B” Protection from electrical shock:..... 
- Do not dispose of in unsorted municipal trash.  
Please consult local laws and regulations for proper disposal: ..... 
- Power Switch:..... 
- “On” Position (compressor running):..... 
- “Off” Position (compressor is not running): ..... 

**NOTE:** WHEN SWITCH IS IN THE “OFF” POSITION AND THE COMPRESSOR IS NOT RUNNING, THERE WILL STILL BE ELECTRICAL POTENTIAL INSIDE THE COMPRESSOR HOUSING. TO REMOVE POWER FROM THE COMPRESSOR, THE POWER PLUG MUST BE REMOVED FROM THE POWER SOURCE.



## J. WARRANTY & RETURN INFORMATION

### PARI LC® SPRINT REUSABLE NEBULIZER LIMITED WARRANTY

PARI reusable nebulizers include a 6 month limited warranty for home care use. If you have any problems and need to return your PARI reusable nebulizer, contact PARI Patient Connection at 1.800.FAST.NEB (327.8632).

Please be sure to clean and disinfect your PARI reusable nebulizer and place it in a plastic bag before returning.

### VIOS® PRO AEROSOL DELIVERY SYSTEM LIMITED WARRANTY

PARI offers a standard five (5) year limited warranty on the Vios® PRO Aerosol Delivery System and its parts. The warranty period will be printed on the serial number label located on the bottom of the compressor. PARI warrants that the Vios® PRO Aerosol Delivery System and its parts will be free from defects in workmanship and materials for a period of sixty (60) months, from the date of first retail purchase of the equipment. This warranty does not cover failures of the nebulizer, tubing, or accessories. This warranty does not extend to failures resulting from accident, misuse, abuse, alteration, use of unauthorized service; parts or cleaning solutions, or failure to comply with Instructions For Use. If the warranted equipment should fail during the warranty period, PARI, at its option, will repair or replace the equipment or parts at issue, provided the claim is bona fide. It shall be the responsibility of the purchaser to pack and return the equipment in a manner to avoid shipping damage. The shipment must be prepaid to PARI Respiratory Equipment, Inc. This warranty covers the cost of labor incurred in the removal or replacement of the warranted component parts at authorized PARI service centers only. To make a claim under this warranty, notify the authorized service center by calling PARI Patient Connection at: 1.800.FAST.NEB (327.8632), Press 2

THERE ARE NO OTHER EXPRESS WARRANTIES. ALL IMPLIED WARRANTIES ON THE Vios® PRO Aerosol Delivery System AND ITS PARTS, INCLUDING IMPLIED WARRANTIES OF MERCHANTABILITY AND FITNESS FOR A PARTICULAR PURPOSE, ARE LIMITED TO SIXTY (60) MONTHS FROM THE DATE OF FIRST RETAIL PURCHASE.

ALL EXPRESS OR IMPLIED WARRANTIES ON ANY OTHER PARTS, INCLUDING THE IMPLIED WARRANTIES OF MERCHANTABILITY AND FITNESS FOR A PARTICULAR PURPOSE, ARE DISCLAIMED. Some states do not allow limitations on how long an implied warranty lasts, so the above limitation may not apply to you. The sole and exclusive remedy under this warranty is to repair or replace the Vios® PRO Aerosol Delivery System and/or its parts at the option of PARI. IN NO EVENT SHALL PARI BE LIABLE FOR INCIDENTAL OR CONSEQUENTIAL DAMAGES TO THE PURCHASER OR ANY THIRD PARTY, INCLUDING WITHOUT LIMITATION, DAMAGES ARISING FROM LOST PROFITS, LOSS OF BUSINESS OPPORTUNITY, LOSS OF PROPERTY, ECONOMIC LOSSES, OR STATUTORY OR EXEMPLARY DAMAGES, WHETHER IN NEGLIGENCE, WARRANTY, STRICT LIABILITY OR OTHERWISE. Some states do not allow the exclusion or limitation of incidental or consequential damages, so the above limitations or exclusions may not apply to you. This warranty gives you specific rights. You may also have other rights which vary from State to State.

### VIOS® PRO AEROSOL DELIVERY SYSTEM 1 YEAR EXTENDED LIMITED WARRANTY

In exchange for registering your Vios® PRO Aerosol Delivery System within six (6) months of purchase, PARI will extend your standard limited warranty one (1) year, for a total warranty period of six (6) years from time of purchase. You can show proof of purchase in one of the following ways:

1) Providing a copy of receipt or proof of purchase, or 2) Identifying date of purchase and company purchased from.

Activate your extended warranty and register your Vios® PRO Aerosol Delivery System today with one of these three ways.



Online at [pari.com/register](http://pari.com/register)



Call 1.800.FAST.NEB (327.8632)



Fill out the pre-addressed, postage paid registration card and drop it in any USPS Mailbox.

Failure to register your Vios® PRO does not affect your standard product limited warranty.

If you have any problems and need to return your Vios® PRO compressor, contact PARI Patient Connection at 1.800.FAST.NEB (327.8632).

Manufactured for:

**PARI Respiratory Equipment, Inc.**

2412 PARI Way, Midlothian, VA 23112 USA  
Tel: 800.FAST.NEB (327.8632) and 804.253.7274  
Fax: 800.727.4112 | [Product.Info@PARI.com](mailto:Product.Info@PARI.com)  
Online at: [www.PARI.com](http://www.PARI.com)

Specialists in effective inhalation



© 2013 PARI Respiratory Equipment, Inc.  
312D0004 Rev C 2-13





## INSTRUCCIONES DE USO

Exclusivamente para uso individual (un paciente)



ESTAS INSTRUCCIONES SE APLICAN A LA NEBULIZADOR LC® SPRINT

IMPORTANTE: LEA LAS INSTRUCCIONES Y PRECAUCIONES DE SEGURIDAD ANTES DE USAR EL DISPOSITIVO.



AEROSOL DELIVERY SYSTEM

LEA TODAS LAS ADVERTENCIAS E INSTRUCCIONES ANTES DE UTILIZAR EL EQUIPO. USE EL PRODUCTO SÓLO PARA EL PROPÓSITO PARA EL QUE FUE DISEÑADO QUE SE DESCRIBE EN ESTAS INSTRUCCIONES DE USO. UN USO INCORRECTO PUEDE PROVOCAR TRASTORNOS/LESIONES GRAVES O MORTALES, TRATAMIENTO INADECUADO O DAÑO A LA PROPIEDAD.

**! RECUERDE**  
■ REEMPLACE LA TAZA DEL NEBULIZADOR REUTILIZABLE CADA SEIS MESES



## AEROSOL DELIVERY SYSTEM

¡Bienvenido a la experiencia Vios® PRO!

El Sistema de Administración por Aerosol Vios® PRO está diseñado a partir del vasto legado de productos clínicamente probados de PARI y consta de dos componentes importantes: un compresor Vios® PRO y un nebulizador PARI. El nombre Vios® PRO está inspirado en las palabras latinas y griegas que significan “Vida” y nuestro objetivo es mejorar su calidad de “Vida” mediante la administración eficiente por aerosol.

Su médico le ha recetado el Vios® PRO para tratar sus síntomas respiratorios debido a la reputación de PARI de tamaño de partículas consistente y rápidos tratamientos que favorecen la administración dirigida a los pulmones. Los productos PARI se han usado en más de 25 pruebas clínicas de nuevos medicamentos para administración con nebulizador. Éstos se diseñan pensando en el paciente y estas instrucciones le ayudarán a obtener la mejor experiencia en terapia por aerosol.

Esperamos que viva una experiencia Vios® PRO “Inspirada en la Vida”.

GUARDE ESTAS  
INSTRUCCIONES PARA  
REFERENCIA FUTURA

### INSTRUCCIONES DE USO: LC® SPRINT

El LC® Sprint es un nebulizador de mano, diseñado para suministrar medicamento por aerosol aprobado para nebulización y recetado por un médico. El LC® Sprint está destinado para uso en pacientes adultos y pediátricos, de manera consistente con las indicaciones para el medicamento de administración por aerosol.

## A. PRECAUCIONES DE SEGURIDAD - LC® SPRINT

### ▲ PRECAUCIÓN

La legislación federal de Estados Unidos restringe la venta de este dispositivo; su adquisición sólo puede realizarse mediante receta médica. Utilícelo únicamente por indicación médica y con el medicamento recetado.

El LC® Sprint es un nebulizador de mano, diseñado para suministrar medicamento por aerosol aprobado para nebulización y recetado por un médico. El LC® Sprint está destinado para uso en pacientes adultos y pediátricos, de manera consistente con las indicaciones para el medicamento de administración por aerosol. El uso indebido de este producto puede ocasionar enfermedades fatales o lesiones graves. El nebulizador no está esterilizado.

### ▲ ADVERTENCIA

Utilícelo únicamente por indicación médica y con el medicamento recetado. A fin de lograr las características de gota especificadas, el compresor o suministro de aire central deben proporcionar 3,5 - 8 lpm a un mínimo de 20 psi.

### ▲ ADVERTENCIA

1. Para reducir el riesgo de mayor crecimiento bacteriano, infección, enfermedad o lesiones producidas por contaminación: limpie y seque cuidadosamente todas las piezas del nebulizador y elimine con cuidado cualquier rastro de humedad o condensación en la entubación después de cada tratamiento de acuerdo con las instrucciones de abajo.
2. La limpieza del nebulizador posterior a cada tratamiento no es suficiente; debe desinfectar o esterilizar regularmente el nebulizador entre tratamientos para evitar enfermedades graves o fatales causadas por la contaminación del mismo.
3. Nunca use un nebulizador con una boquilla obstruida. Si la boquilla está obstruida, el vapor o aerosol disminuirá, se alterará o dejará de salir, lo que mermará o eliminará la eficacia del tratamiento. Si se produce una obstrucción, reemplace por el Nebulizador reutilizable PARI del mismo modelo.
4. Es necesario supervisar atentamente el uso de este producto especialmente cuando hay niños y personas con alguna discapacidad física o mental cerca. Nunca lo use mientras duerme o está somnoliento.
5. El producto contiene piezas pequeñas que pueden presentar un riesgo de asfixia para niños pequeños. La entubación además presenta un riesgo de estrangulación. SIEMPRE CUENTE CON LA SUPERVISIÓN DE UN ADULTO CUANDO ADMINISTRE EL TRATAMIENTO A UN NIÑO. NO DEJE SOLO AL NIÑO DURANTE EL TRATAMIENTO.
6. Los pacientes menores de cuatro años o cualquier paciente con necesidades especiales deben usar una mascarilla en lugar de la boquilla con válvula.
7. Antes de usarlo, verifique que el nebulizador reutilizable PARI esté armado correctamente. Todas las piezas deben estar perfectamente ajustadas en su lugar. El uso de un nebulizador armado en forma incorrecta puede mermar o impedir el suministro adecuado de medicamento y la eficacia del tratamiento.

## INSTRUCCIONES DE USO: VIOS® PRO AEROSOL DELIVERY SYSTEM

El Vios® PRO es un compresor liviano en peso para el uso con Nebulizadores de PARI. El Compresor Vios® PRO está diseñado para pacientes adultos y pediátricos para uso en hospitales, clínicas o en entornos domésticos.

## B. PRECAUCIONES DE SEGURIDAD - VIOS® PRO AEROSOL DELIVERY SYSTEM

### ⚠ ADVERTENCIA

Úselo sólo con nebulizadores y entubación autorizados por PARI para este dispositivo. Otros tipos de nebulizador y entubación pueden dar como resultado un tratamiento inadecuado.

Cuando use productos eléctricos y médicos, especialmente en presencia de niños, debe tomar algunas precauciones de seguridad básicas.

### ⚠ PELIGRO

A fin de reducir el riesgo de lesiones graves o fatales por electrocución:

1. No coloque ni guarde el producto en un lugar del que pueda caerse o jalarse a una bañera, lavabo, agua u otro líquido. No lo coloque ni lo deje caer en agua u otro líquido. No lo use mientras se baña.
2. No intente tomar un producto que ha caído al agua u otro líquido. Desenchúfelo de inmediato.

### ⚠ ADVERTENCIA

A fin de reducir el riesgo de lesiones graves o fatales por electrocución, incendio, quemaduras y para reducir el riesgo de daños o funcionamiento incorrecto del producto:

1. Antes de usarlo, verifique la etiqueta del número de serie en la parte inferior del Compresor PARI Vios® PRO a fin de asegurarse de que el voltaje y la corriente indicados en la etiqueta del compresor coincidan con el voltaje y la corriente disponibles.
2. Nunca haga funcionar este producto si el cable o el enchufe están dañados, si no funciona correctamente, si se ha caído o sufrido daños y si ha estado expuesto a cualquier líquido dentro de la carcasa. Devuelva el producto a PARI para que lo revisen y reparen.
3. Mantenga todos los cables eléctricos lejos de superficies calientes. No sobrecargue los tomacorrientes de pared ni use cables de extensión.
4. El artefacto tiene un enchufe polarizado (una patilla es más ancha que la otra). Una característica de seguridad de este enchufe es que se enchufa a un tomacorriente polarizado en sólo un sentido. Si el enchufe no encaja totalmente en el tomacorriente, délo vuelta.
5. Nunca obstruya las ventilaciones de aire de este compresor ni lo coloque en una superficie blanda, como una cama o sofá, donde se puedan obstruir las ventilaciones. Mantenga las ventilaciones limpias de pelusa, cabello o sustancias similares. Las ventilaciones obstruidas pueden causar un exceso de acumulación de calor. Cuando el producto esté enchufado, nunca lo descuide.

### ⚠ ADVERTENCIA

6. No lo utilice en exteriores.
7. No es adecuado para usarlo en presencia de una mezcla anestésica inflamable con aire, oxígeno u óxido nitroso.
8. No lo use en lugares donde se administra oxígeno en un entorno cerrado, como una tienda de oxígeno.
9. Nunca deje caer ni inserte ningún objeto en ninguna de las aberturas.
10. Siempre desenchufe el producto de inmediato después de usarlo.
11. Asegúrese de que el Compresor PARI Vios® PRO esté desenchufado antes de limpiarlo.
12. No abra ni desarme el Compresor PARI Vios® PRO. Todas las reparaciones las debe realizar PARI.

### ⚠ ADVERTENCIA

Para reducir el riesgo de que el compresor deje de funcionar correctamente con motivo de una menor interferencia electromagnética, lo que dará como resultado un tratamiento inadecuado:

1. Los dispositivos de comunicación de radiofrecuencia portátiles y móviles ("RF") pueden interferir con equipos médicos electrónicos.
2. Úselo sólo con accesorios y cables autorizados por PARI para este dispositivo. El uso de este dispositivo con accesorios y cables no autorizados puede dar como resultado mayores emisiones electromagnéticas o una menor inmunidad de las emisiones electromagnéticas del dispositivo.
3. No debe usar el dispositivo junto a o apilado sobre otros equipos. Si es necesario usarlo junto a o apilado sobre otros equipos, debe observarlo para verificar su funcionamiento normal.

## C. INTRODUCCIÓN

Revise el paquete de su Vios® PRO para asegurarse de que todos los elementos estén incluidos.

Es importante contar con un segundo Nebulizador reutilizable PARI en todo momento.

Filtro de aire

Salida de aire

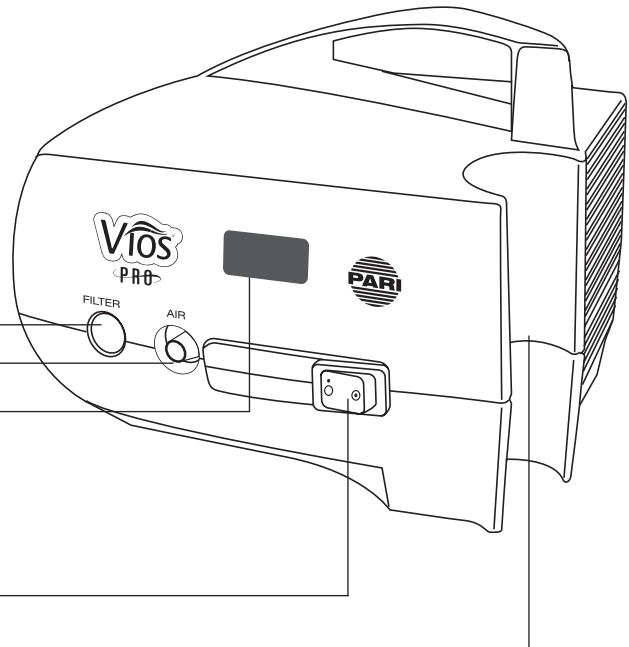
Timestrip®

(Ubicación sugerida de Timestrip®)



Interruptor eléctrico

Sujetador de el nebulizador reutilizable PARI



Nebulizador reutilizable PARI LC® Sprint (se incluyen 2)

Tapa de la válvula de inspiración

Parte superior del nebulizador

Salida del nebulizador

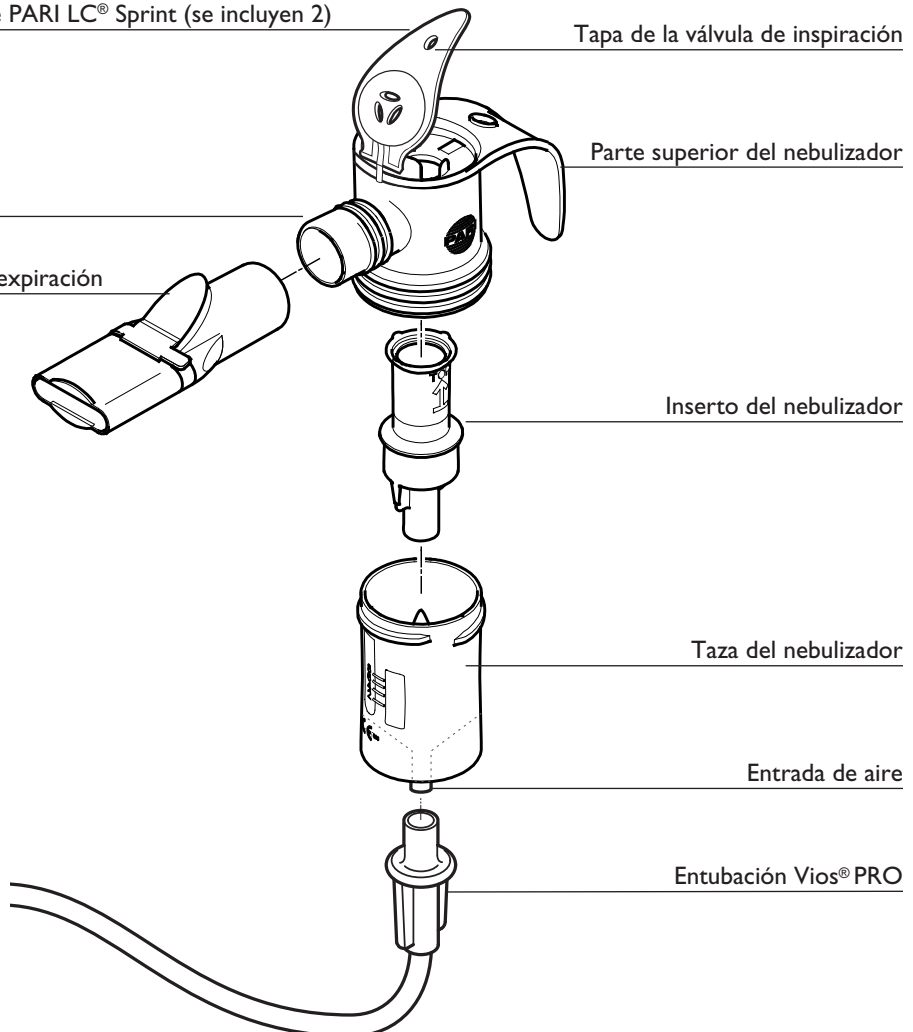
Boquilla con válvula de expiración

Inserto del nebulizador

Taza del nebulizador

Entrada de aire

Entubación Vios® PRO



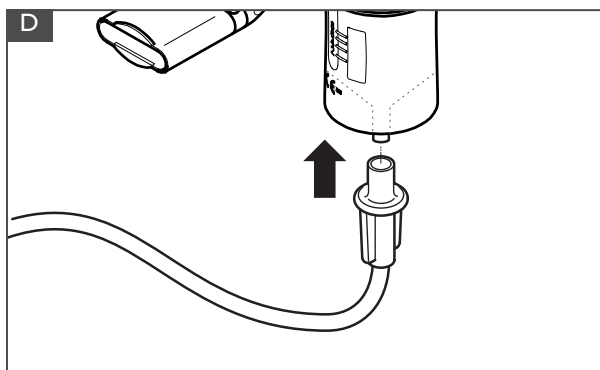
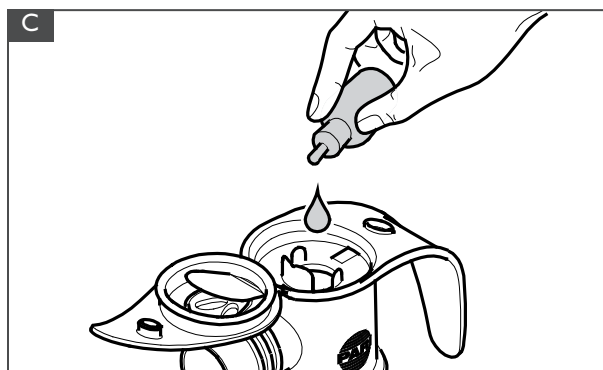
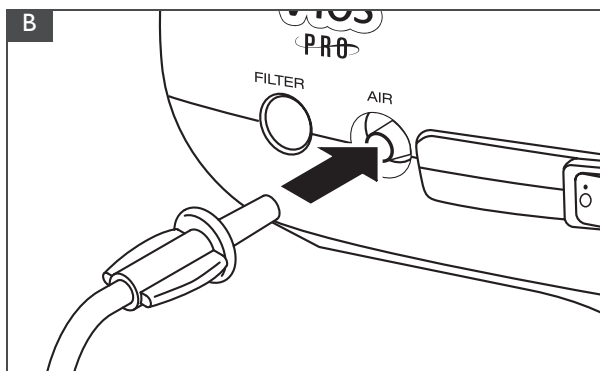
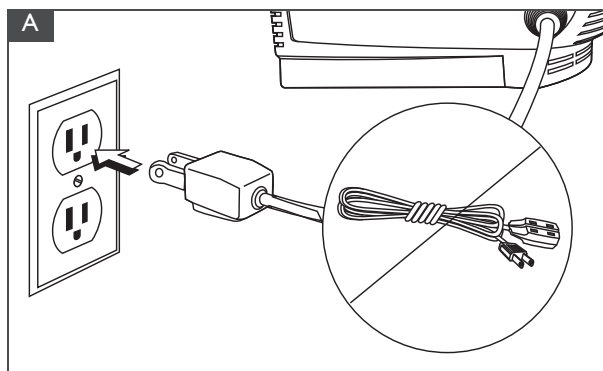
## D. INSTALACIÓN DEL VIOS® PRO

Sólo le quedan 10 pasos para iniciar su tratamiento con Vios® PRO. Sígalos uno por uno.

1. **Limpie/Desinfecte la Taza del Nebulizador:** Consulte sección F para limpiar y/o desinfectar adecuadamente su nebulizador antes del primer uso. Vuelva a armar el nebulizador.
2. **Instale el compresor:** Coloque el compresor en una superficie plana, estable y limpia de polvo. Evite superficies acolchadas, tapizadas o alfombradas. Asegúrese de que el interruptor eléctrico esté en **0**, la posición "OFF". Enchufe el cable eléctrico a un tomacorriente de pared (Fig. A). Active y conecte la Pegatina Timestrip® a la parte frontal del Compresor Vios como explicado sección E.
3. **Conecte la entubación al compresor:** Inserte un extremo de la entubación a la salida de aire en el compresor. Debe ajustarse bien (Fig. B).
4. **Cargue el Medicamento:** Abra la Tapa de la válvula de inspiración del nebulizador levantándola (Fig. C). Vierta el medicamento en la taza del nebulizador. Nunca sobrepase la línea de llenado máximo de 8 ml.
5. **Conecte la boquilla o mascarilla:** Si usa la boquilla, conéctela a la salida del nebulizador con la válvula de expiración hacia arriba. Luego, cierre la tapa de la válvula de inspiración al presionarla firmemente en la parte superior del nebulizador. Si usa una mascarilla, referir a sus instrucciones de mascarilla.
6. **Conecte la entubación a la taza del nebulizador:** Presione con firmeza el otro extremo de la entubación a la parte inferior del nebulizador reutilizable PARI (Fig. D).
7. **Inicie el tratamiento:** Siéntese en una posición relajada y recta y coloque el compresor en "ON" **1**.
8. **Posicione el nebulizador:** Coloque la boquilla en la parte superior de la lengua y cierre los labios alrededor de ella. Inspire en forma lenta y profunda. A medida que inhala, se abre la válvula de inhalación.
9. **Respiración:** Si usa boquilla, inhale y exhale lentamente por la boca. Cuando exhala, la válvula en la boquilla se abre para permitir que escape el vapor exhalado. Si usa mascarilla, colóquesela sobre la nariz y la boca e inhale y exhale lentamente.
10. **Finalice el tratamiento:** Continúe hasta que se acabe el medicamento o escuche un sonido suave de "chisporroteo". A pague el compresor **0**.

### NOTA SOBRE EL TIEMPO DE TRATAMIENTO

Tenga en cuenta que son muchos los factores que afectan el tiempo de tratamiento, como la edad del paciente, la enfermedad, el patrón de respiración y el medicamento. El Vios® PRO fue diseñado para uso intermitente para suministrar medicamentos respiratorios, no para el uso continuo para humidificación.





## E. TIMESTRIP®

Para obtener los tratamientos más eficaces, es muy importante que reemplace su nebulizador reutilizable PARI cada 6 meses. Timestrip® es un indicador visual que le ayuda a recordar cuándo debe reemplazar su nebulizador.

**Activación de Timestrip®:** Apriete con firmeza la burbuja PARI entre su dedo y el pulgar. Es posible que deba apretarla más de una vez para asegurarse de que haya salido todo el líquido de la burbuja.

**Verifique la activación:** Aparecerá una línea roja en el círculo pequeño de la pegatina Timestrip® en 1 ó 2 minutos, lo que indica la activación. Si no observa la línea roja después de 3 minutos, vuelva a apretar la burbuja.

**Conéctela al compresor:** Desprenda la pestaña adhesiva en la parte posterior de la Timestrip® y conecte la Timestrip® a la parte frontal del compresor como se indica en la Sección C. **IMPORTANTE: NO CONECTE LA Timestrip® a la TAZA DEL NEBULIZADOR.**

**Reemplazo del nebulizador:** Cuando vea aparecer la palabra NOW en la ventana (Fig. E), sabrá que es momento de adquirir un nuevo nebulizador reutilizable PARI. Comuníquese con su proveedor de atención médica domiciliaria o farmacia para pedir un nuevo nebulizador reutilizable PARI.

### ⚠ ADVERTENCIA

La Timestrip® puede plantear un riesgo de asfixia para niños pequeños; por ello, es un requisito que cuenten con supervisión de un adulto.

La Timestrip® no monitorea la condición del nebulizador reutilizable PARI. La Timestrip® solo registra el transcurso del tiempo después de que se ha activado. Si la activa al momento del primer uso del nebulizador reutilizable PARI, entonces le servirá como recordatorio de cuándo debe reemplazar el nebulizador reutilizable.

El líquido dentro de la Timestrip® no es tóxico. Si intenta alterarla, la Timestrip® puede sufrir filtración y no funcionar en forma correcta. Si el líquido entra en contacto con la piel, lave la zona afectada con agua y jabón. Si el líquido entra en contacto con los ojos, enjuáguelos de inmediato con agua durante 15 minutos. Si experimenta irritación, solicite atención médica.

Timestrip® es una marca comercial registrada de Timestrip Plc.

## F. LIMPIEZA DE SU NEBULIZADOR REUTILIZABLE PARI

1. Desconecte la entubación de la entrada de aire ubicada en la parte inferior de la taza del nebulizador.
2. Si hay humedad (condensación) en la entubación, permita que el compresor funcione sólo con la entubación conectada por 2 a 3 minutos. El aire tibio del compresor secará la entubación. De manera alternativa, puede secar la entubación al extraerla del compresor y colgarla con los extremos mirando hacia abajo para permitir el drenaje y la evaporación de cualquier rastro de humedad (condensación). Use un trapo limpio para limpiar el exterior de la entubación.
3. Desarme las piezas del nebulizador reutilizable como se muestra en la página 3.
4. Lave todas las piezas con agua tibia y detergente de platos líquido. **NO LAVE LA ENTUBACIÓN.**
5. Enjuague las piezas del nebulizador reutilizable cuidadosamente con agua tibia y sacúdalas para botar los restos de agua.
6. Deje secar al aire las piezas del nebulizador o séquelas a mano sobre un paño limpio y sin pelusa. Vuelva a armar el nebulizador cuando se hayan secado las piezas y guárdelo.
7. También puede lavar todas las piezas del nebulizador reutilizable en la bandeja superior de una lavadora de platos. **NO LAVE LA ENTUBACIÓN.** Coloque las piezas del nebulizador reutilizable en la rejilla de la lavadora de platos y luego coloque la rejilla en la bandeja superior de la lavadora de platos. Extraiga y seque las piezas después de que finalice el ciclo de la lavadora de platos.

### ⚠ ADVERTENCIA

**PARA REDUCIR EL RIESGO DE INFECCIÓN:**

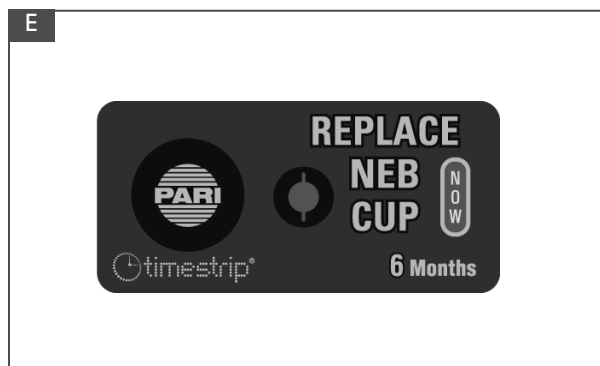
1. El nebulizador es para uso individual (un paciente) solamente. No comparta su nebulizador con otros pacientes.
2. Debe desinfectar o esterilizar regularmente el nebulizador entre tratamientos. Si no lo hace, el paciente puede contraer una enfermedad grave o fatal.

## ! RECUERDE REEMPLACE LA TAZA DEL NEBULIZADOR REUTILIZABLE CADA SEIS MESES

Ventajas de reemplazar la taza del nebulizador:

- Suministro consistente del medicamento a los pulmones
- Tratamientos rápidos y eficaces
- Se reduce la contaminación bacterial\*

\* Lester, Mary K. Nebulizer Use and Maintenance by Cystic Fibrosis Patients: (Uso y mantenimiento de nebulizadores por parte de pacientes con Fibrosis Quística) A Survey Study (un estudio de investigación). *Respiratory Care* 2004; 49(12): 1504-1508.



### ARTÍCULOS DE REEMPLAZO PARA EL VIOS® PRO

	Numero de pieza (Part No.)
Nebulizador reutilizable LC® Sprint	023F35-VP
Nebulizador reutilizable LC® Plus	022F81-VP
Entubación Vios® PRO	041F4594
VIOS® PRO Filtro de reemplazo 2 por paquete	085F0012P2

Notar: Utilice la manguerita del Vios® PRO solamente con el sistema de Aerosol Vios® PRO

## G. DESINFECCIÓN SU NEBULIZADOR REUTILIZABLE PARI

1. Limpie el nebulizador como se describe en la Sección F. Para realizar una desinfección de bajo nivel cada dos o tres días de tratamiento, remoje todas las piezas del Nebulizador reutilizable PARI (excepto la entubación y la mascarilla) en una solución de 1 parte de vinagre blanco destilado y 3 partes de agua potable durante una hora. Puede reemplazar el desinfectante de equipos respiratorios (como Control III®) por vinagre blanco destilado (siga las instrucciones del fabricante para la mezcla).
2. Enjuague cuidadosamente todas piezas del Nebulizador reutilizable PARI con agua potable y séquelas con un paño limpio sin pelusa. Deseche la solución de vinagre cuando finalice la desinfección.
3. Las piezas del Nebulizador reutilizable PARI (excepto la entubación y la mascarilla) también se pueden desinfectar al hervirlas en un recipiente limpio con agua durante 10 minutos.
4. Los hospitales y clínicas pueden esterilizar las piezas del Nebulizador reutilizable PARI (excepto la mascarilla y la entubación) en autoclave (un máximo de 277° F ó 136° C); siga las instrucciones de autoclave del fabricante.
5. Seque las piezas sobre un paño limpio y sin pelusa.

CONTROL III® ES UNA MARCA COMERCIAL REGISTRADA DE MARIL PRODUCTS, INC.

## H. MANTENIMIENTO DEL VIOS® PRO

### FILTRO

El Filtro Clear View™ de la parte frontal del Compresor Vios® PRO fue diseñado para monitorearse sin tener que quitarlo. Esto hace más fácil revisarlo sin mucho trabajo. Con el uso, el filtro se volverá lentamente gris, lo que indica que debe reemplazarlo. Debe reemplazar inmediatamente el filtro si se moja o se obstruye. Una buena norma es reemplazar el filtro cada 6 meses, al mismo tiempo que su nebulizador reutilizable PARI.

Para reemplazar el filtro, obtenga la pieza de repuesto de filtro # 085F0012P2, la cual incluye el filtro y la herramienta de desmontaje del filtro (Fig. F). Empuje firmemente la herramienta del filtro por sobre el filtro y gire la herramienta de desmontaje del filtro en sentido

opuesto a las manecillas del reloj 8 veces completas hasta que quede suelto, quite el filtro (Figs. F y G). Deshágase del filtro sucio y de la herramienta. La herramienta del filtro evita la remoción no autorizada del filtro, o que éste se pierda. Una vez desmontado el filtro, incline el compresor hasta que la cara de la unidad apunte al piso. Golpee suavemente en la parte trasera del compresor para eliminar los materiales sobrantes del área del filtro. Coloque el compresor sobre una superficie estable y con las manos limpias, empuje un filtro nuevo en el receptáculo.

**NOTA: NO INTENTE LAVAR Y REUTILIZAR FILTROS DE AIRE. NO USE UN MATERIAL DE FILTRO DE SUSTITUCIÓN, PUESTO QUE PUEDE DAÑAR EL COMPRESOR.**

### COMPRESOR

Use un trapo húmedo para limpiar la parte externa de la carcasa del Vios® PRO y la entubación.

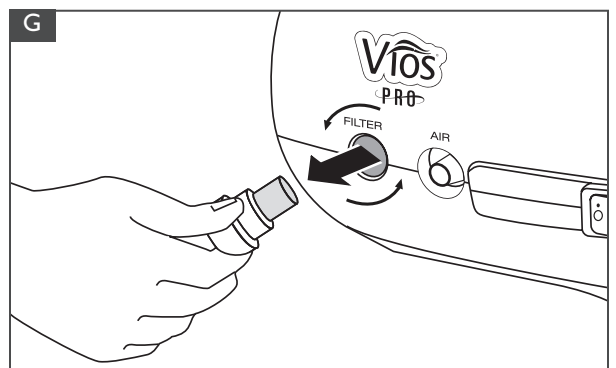
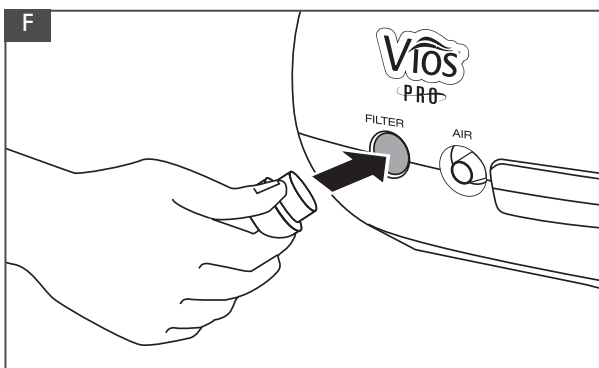
### ⚠ PRECAUCIÓN

Nunca rocíe líquido en las ranuras de ventilación de su Vios® PRO. El líquido puede causar daños en las piezas eléctricas y del compresor y un funcionamiento incorrecto. En caso de que entre líquido a la unidad, comuníquese con PARI Patient Connection al 1.800.FAST.NEB (327.8632).

### MANTENIMIENTO Y REPARACIÓN

Nunca utilice su Vios® PRO si está armado en forma incorrecta o incompleta o bien, está dañado. Use sólo piezas y accesorios originales PARI autorizados por PARI para el Sistema de Administración por Aerosol Vios® PRO. El uso de otras piezas y accesorios puede dañar la unidad o causar un tratamiento incorrecto. No abra ni desarme la unidad del compresor en ningún momento.

**NOTA: NO HAY PIEZAS QUE PUEDAN RECIBIR MANTENIMIENTO DENTRO DEL SISTEMA DE ADMINISTRACIÓN POR AEROSOL VIOS® PRO. EL MANTENIMIENTO REALIZADO POR CUALQUIER OTRA PERSONA ANULA LA GARANTÍA.**



# I. ESPECIFICACIONES


## ESPECIFICACIONES DEL VIOS® PRO


Peso:..... 4,0 lbs.  
Dimensiones:..... 5,75 x 7,5 x 5,5 pulg.  
Requisitos eléctricos: ..... 120V CA, 60Hz, 1,6A  
Vataje de potencia: ..... 98 W, en carga normal  
Condiciones ambientales de funcionamiento:..... 10° C a 40° C, (50° F a 104° F)  
Longitud del cable eléctrico: ..... 6 ft.


### CONDICIONES DE TRANSPORTE/ALMACENAMIENTO:


Temperatura ambiente:..... -40° C a 70° C, (-40° F a 158° F)  
Humedad relativa:..... 10% a 100%  
Presión atmosférica:..... 500 hpa a 1060 hpa


### EXPLICACIÓN DE SÍMBOLOS


Atención: Lea todas las “Instrucciones de uso” antes de usarlo:..... 


Equipo de aislamiento cerrado Clase II ..... 

Protección tipo “B” contra choque eléctrico: ..... 

No lo elimine como desechos no clasificados.  
Consulte las leyes y reglamentaciones locales para eliminarlo adecuadamente: ..... 

Interruptor eléctrico:..... 

Posición “On” (compresor funcionando): ..... 

Posición “Off” (compresor apagado): ..... 

**NOTA:** CUANDO EL INTERRUPTOR ESTÁ EN LA POSICIÓN “OFF” Y EL COMPRESOR NO ESTÁ FUNCIONANDO, IGUAL EXISTE POTENCIAL ELÉCTRICO DENTRO DE LA CARCASA DEL COMPRESOR. PARA DESENERGIZAR EL COMPRESOR, DEBE DESCONECTAR EL ENCHUFE ELÉCTRICO DE LA FUENTE DE ENERGÍA.

## J. INFORMACIÓN DE GARANTÍA Y DE DEVOLUCIÓN

### GARANTÍA LIMITADA DEL NEBULIZADOR REUTILIZABLE LC® SPRINT

Los nebulizadores reutilizables PARI incluyen una garantía limitada de 6 meses para uso en tratamientos domiciliarios. Si tiene algún problema y necesita devolver el nebulizador reutilizable PARI, comuníquese con PARI Patient Connection al 1.800.FAST.NEB (327.8632).

Asegúrese de limpiar y desinfectar su nebulizador reutilizable PARI y colóquelo en una bolsa plástica antes de devolverlo.

### GARANTÍA LIMITADA DEL SISTEMA DE ADMINISTRACIÓN POR AEROSOL VIOS® PRO

PARI ofrece una garantía limitada de cinco (5) años estándar para el Sistema de Suministro por Aerosol Vios® PRO y sus piezas. El período de garantía se imprimirá en la etiqueta del número de serie ubicada en la parte inferior del compresor. PARI garantiza que el Sistema de Suministro por Aerosol Vios® PRO y sus piezas estarán libres de defectos de fabricación y materiales por un período de sesenta (60) meses a partir de la fecha de la primera compra del equipo en el mercado minorista. La garantía no contempla fallas del nebulizador, la entubación o los accesorios. Esta garantía no se extiende a fallas resultantes de accidente, uso indebido, abuso, alteración, uso de servicio no autorizado; piezas o soluciones de limpieza o el incumplimiento de las Instrucciones de uso. Si el equipo con garantía falla durante el período de garantía, PARI, a su entera discreción, reparará o reemplazará el equipo o las piezas en cuestión, siempre y cuando el reclamo sea de buena fe. El comprador asumirá la responsabilidad de empaquetar y devolver el equipo de tal manera de evitar que se produzcan daños durante el transporte. El envío debe pagarse previamente a PARI Respiratory Equipment, Inc. Esta garantía contempla el costo de mano de obra incurrido en la extracción o reemplazo de las piezas de componentes con garantía sólo en centros de servicios autorizados de PARI. Para efectuar un reclamo en virtud de esta garantía, notifique al centro de servicio autorizado llamando a PARI Patient Connection al: 1.800.FAST.NEB (327.8632), Presione 2

**NO EXISTEN OTRAS GARANTÍAS EXPRESAS. TODAS LAS GARANTÍAS IMPLÍCITAS DEL Sistema de Suministro por Aerosol Vios® PRO Y SUS PIEZAS, INCLUIDAS LAS GARANTÍAS IMPLÍCITAS DE COMERCIABILIDAD Y ADECUACIÓN PARA UN PROPÓSITO PARTICULAR, SE LIMITAN A SESENTA (60) MESES A PARTIR DE LA FECHA DE LA PRIMERA COMPRA EN EL MERCADO MINORISTA TODAS LAS GARANTÍAS EXPRESAS O IMPLÍCITAS SOBRE CUALQUIER OTRA PIEZA, INCLUIDAS LAS GARANTÍAS IMPLÍCITAS DE COMERCIABILIDAD Y ADECUACIÓN PARA UN PROPÓSITO PARTICULAR, ESTÁN EXCLUIDAS.**

Algunos estados no permiten limitaciones en el período de vigencia de una garantía implícita, de manera que es posible que la limitación anterior no se aplique a usted. La única y exclusiva medida de remediación en virtud de esta garantía es reparar o reemplazar el Sistema de Suministro por Aerosol Vios® PRO y/o sus piezas a discreción de PARI. EN NINGUNA CIRCUNSTANCIA PARI ASUMIRÁ LA RESPONSABILIDAD POR DAÑOS INCIDENTALES O EMERGENTES EN EL COMPRADOR O CUALQUIER TERCERO, INCLUIDOS, PERO SIN LIMITACIÓN, DAÑOS POR PÉRDIDAS DE UTILIDADES, PÉRDIDA DE OPORTUNIDADES COMERCIALES, PÉRDIDA DE PROPIEDAD, PÉRDIDAS ECONÓMICAS, DAÑOS LEGALES O POR ESCARMIENTO, YA SEA POR NEGLIGENCIA, GARANTÍA, RESPONSABILIDAD CIVIL ESTRICTA O DE OTRA NATURALEZA. Algunos estados no permiten la exclusión o limitación de daños incidentales o emergentes, de manera que es posible que las limitaciones anteriores no se apliquen a usted. Esta garantía le concede derechos específicos. Es posible que también tenga otros derechos, según el estado donde vive.

### GARANTÍA LIMITADA EXTENDIDA POR 1 AÑO PARA EL SISTEMA DE SUMINISTRO POR AEROSOL VIOS® PRO

A cambio de registrar su Sistema de Suministro por Aerosol Vios® PRO en un plazo de seis (6) meses a partir de la fecha de compra, PARI extenderá su garantía limitada estándar en un (1) año, por un período total de garantía de seis (6) años a partir de la fecha de compra. Puede presentar un comprobante de compra de una de las siguientes maneras:

1) Proporcionar una copia del recibo o comprobante de compra o, 2) Identificar la fecha de compra y la empresa a la que efectuó la compra.

Active su garantía extendida y registre su Sistema de Suministro por Aerosol Vios® PRO hoy de una de estas tres maneras.



En línea en [pari.com/register](http://pari.com/register)



Llame al 1.800.FAST.NEB (327.8632)



Llene la tarjeta de registro predirigida con franqueo prepagado y colóquela en cualquier Buzón USPS.

No registrar su Vios® PRO no afecta su garantía limitada estándar del producto.

Si tiene algún problema y necesita devolver su compresor Vios® PRO, comuníquese con PARI Patient Connection al 1.800.FAST.NEB (327.8632).

Fabricado para:

**PARI Respiratory Equipment, Inc.**

2412 PARI Way, Midlothian, VA 23112 Estados Unidos

Tel: 800.FAST.NEB (327.8632) y 804.253.7274

Fax: 800.727.4112 | [Product.Info@PARI.com](mailto:Product.Info@PARI.com)

En línea en: [www.PARI.com](http://www.PARI.com)

Specialists in effective inhalation



© 2013 PARI Respiratory Equipment, Inc.  
312D0004 Rev C 2-13